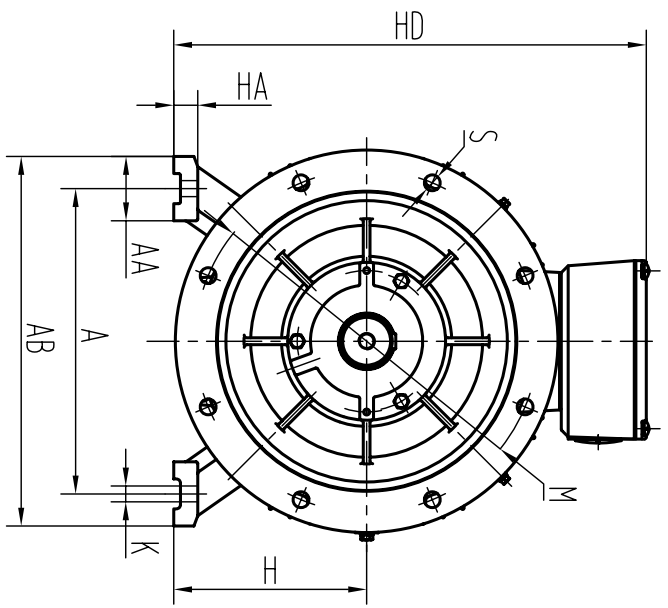
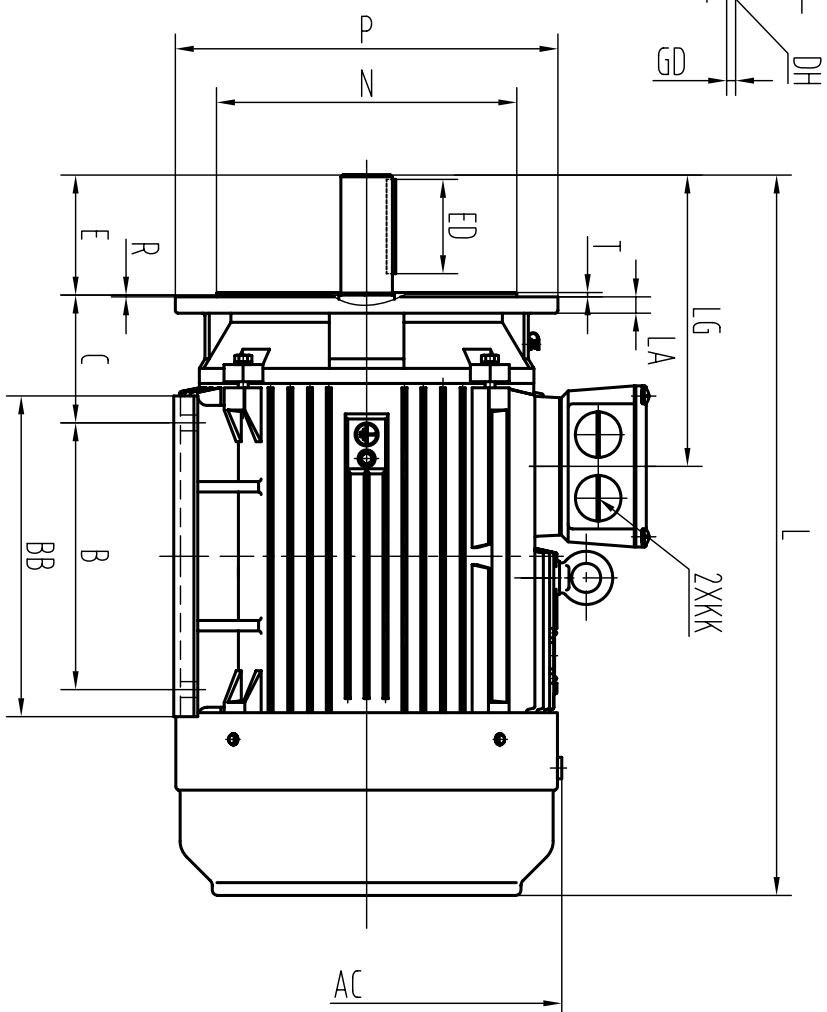
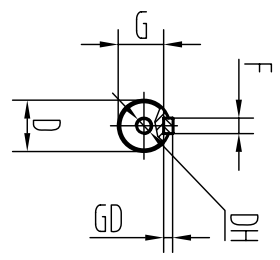


CLIENT:			
FRAME		KW	
VOLTS		RPM	



OUTLINE DIMENSIONS FOOT-FLANGE MOUNTED MOTORS

SHAFT EXT. ONLY

WEIGHT

A	356	B	286(225S)
AA	75	BB	311(225M)
AB	436	C	355(225S)
AC	465	H	380(225M)
		HA	149
		HD	225
		K	28
		KK	560
		L	18.5
		LG	M50X1.5
		D	825(225S)
		DH	850(225M)
		E	340
		ED	60
		F	M20X42
		G	140
		GD	110
			18
			53
			11

20	LA
400	M
350	N
450	P
0	R
18.5	S
5	T

CUSTOMER APPROVAL

SIGNATURE

DATE

YX3-225 4-8P (B35)  
DIMENSION OUTLINE

DATE	2005.12.5	CHK	
DRAWN	Mao	APPD	
ISSUE A	DATE	CERTIFIED BY	
ISSUE B	DATE	CERTIFIED BY	
ISSUE C	DATE	CERTIFIED BY	
ISSUE D	DATE	CERTIFIED BY	