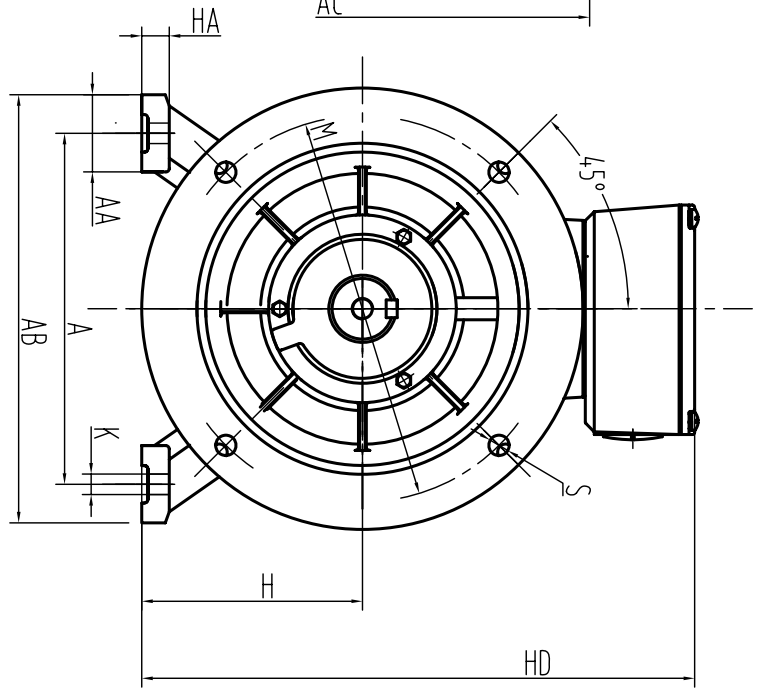
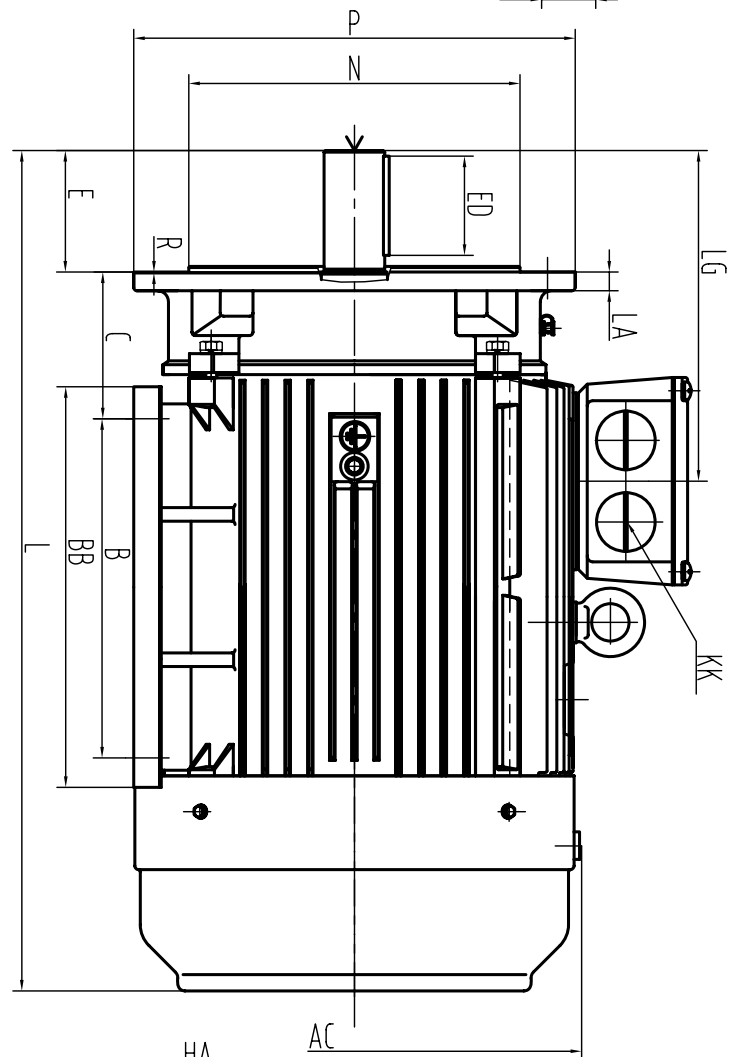
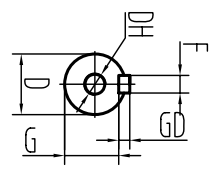


CLIENT:			
FRAME		KW	
VOLTS		RPM	



OUTLINE DIMENSIONS FOOT MOUNTED MOTORS

SHAFT EXT. DE ONLY

WEIGHT

A	318	B	305	HA	25	D	55	ED	90	F	16	G	49	GD	10
AA	75	BB	370	HD	515	DH	M20X42	E	110	G	49				
AB	395	C	133	LG	300	E	110	ED	90						
AC	420	H	200	K	18.5	ED	90	F	16						
		HA	25	KK	M50x1.5			G	49						
		L	760	L	760										

17	LA
350	M
300	N
400	P
0	R
18.5	S
5	T

CUSTOMER APPROVAL

SIGNATURE

DATE

YX3-200 2-8P (B35)  
DIMENSION OUTLINE

DATE	2005.12.6	CHK	
DRAWN	Liu	APPD	
ISSUE A	DATE	CERTIFIED BY	
ISSUE B	DATE	CERTIFIED BY	
ISSUE C	DATE	CERTIFIED BY	
ISSUE D	DATE	CERTIFIED BY	