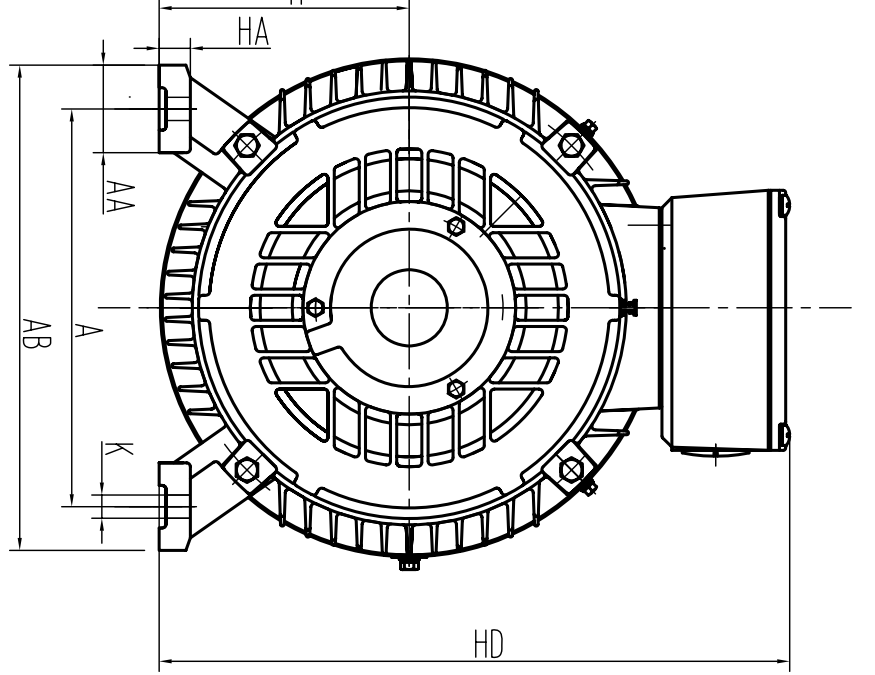
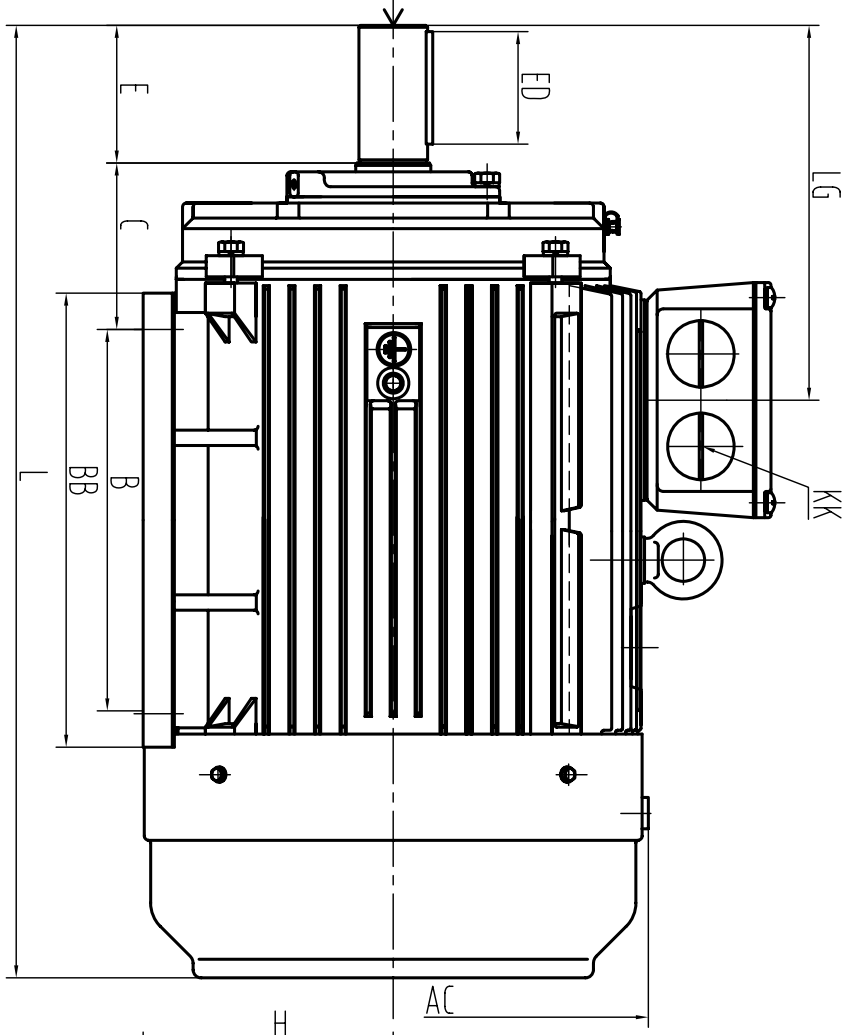


CLIENT:			
FRAME		KW	
VOLTS		RPM	



OUTLINE DIMENSIONS FOOT MOUNTED MOTORS

SHAFT EXT. DE ONLY

WEIGHT

318	A	75	AA	395	AB	420	AC	305	B	370	BB	133	C	200	H	25	HA	515	HD	18.5	K	M50x1.5	KK	760	L	300	LG	55	D	M20x42	DH	110	E	90	ED	16	F	49	G	10	GD
-----	---	----	----	-----	----	-----	----	-----	---	-----	----	-----	---	-----	---	----	----	-----	----	------	---	---------	----	-----	---	-----	----	----	---	--------	----	-----	---	----	----	----	---	----	---	----	----

CUSTOMER APPROVAL

SIGNATURE

DATE

YX3-200 2-8P (B3)

DIMENSION OUTLINE

DATE	2005.12.6	CHK	
DRAWN	Liu	APPD	
ISSUE A DATE		CERTIFIED BY	
ISSUE B DATE		CERTIFIED BY	
ISSUE C DATE		CERTIFIED BY	
ISSUE D DATE		CERTIFIED BY	