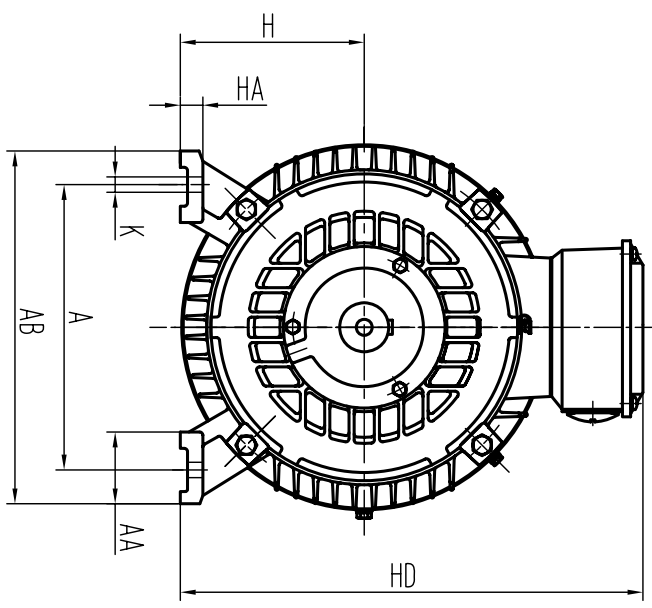
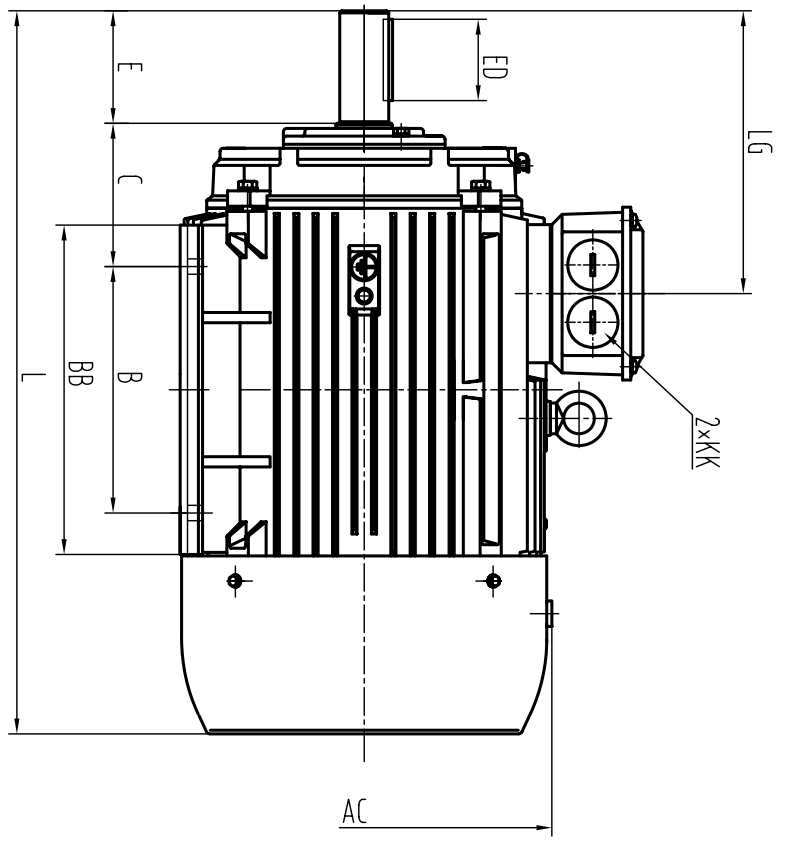


CLIENT:			
FRAME		KW	
VOLTS		RPM	



OUTLINE DIMENSIONS FOOT MOUNTED MOTORS

SHAFT EXT. DE ONLY

WEIGHT

A	279
AA	74
AB	350
AC	380
B	241(180M) 279(180L)
BB	330(180M) 370(180L)
C	121
H	180
HA	22
HD	460
K	14.5
KK	M40X15
L	728(180M) 768(180L)
LG	277
D	48
DH	M16X36
E	110
ED	90
F	14
G	42.5
GD	9

CUSTOMER APPROVAL

SIGNATURE

DATE

YX3-180 2-8P (B3)  
DIMENSION OUTLINE

DATE	2005.12.5	CHK	
DRAWN	Huang	APPD	
ISSUE A	DATE	CERTIFIED BY	
ISSUE B	DATE	CERTIFIED BY	
ISSUE C	DATE	CERTIFIED BY	
ISSUE D	DATE	CERTIFIED BY	