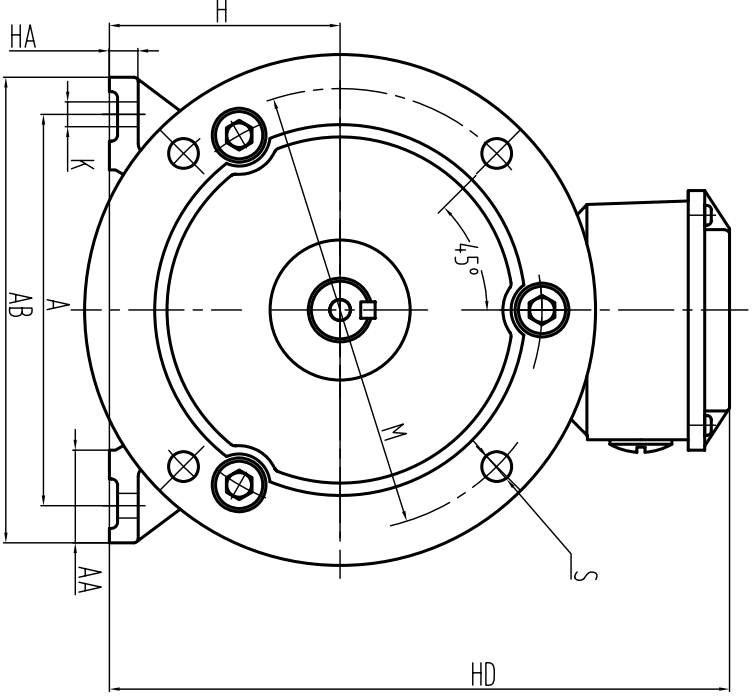
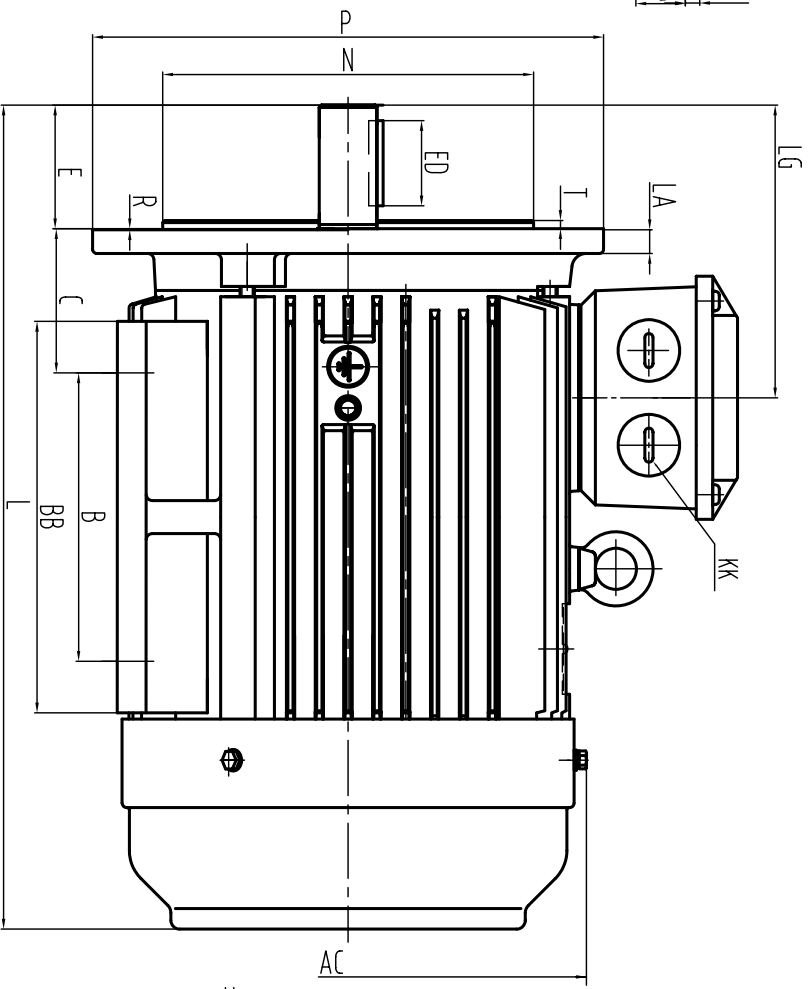
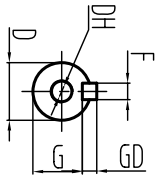


CLIENT:			
FRAME		KW	
VOLTS		RPM	



OUTLINE DIMENSIONS FOOT-FLANGE MOUNTED MOTORS

SHAFT EXT. DE ONLY

WEIGHT

A	190	B	140	HA	14	D	28	E	60	ED	45	F	8	G	24	GD	7
AA	45	BB	255	HD	300	DH	M10X22	ED	45	F	8	G	24	GD	7		
AB	230	C	70	K	12	E	60	F	8	G	24	GD	7				
AC	236	H	112	KK	M32X1.5	ED	45	F	8	G	24	GD	7				
		L	480	LG	144												

LA	14
M	215
N	180
P	250
R	0
S	14.5
T	4

CUSTOMER APPROVAL

SIGNATURE

DATE

YX3-112 2-8P (B35)  
DIMENSION OUTLINE

DATE	2005.12.6	CHK	
DRAWN	Liu	APPD	
ISSUE A DATE		CERTIFIED BY	
ISSUE B DATE		CERTIFIED BY	
ISSUE C DATE		CERTIFIED BY	
ISSUE D DATE		CERTIFIED BY	