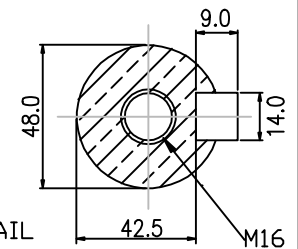
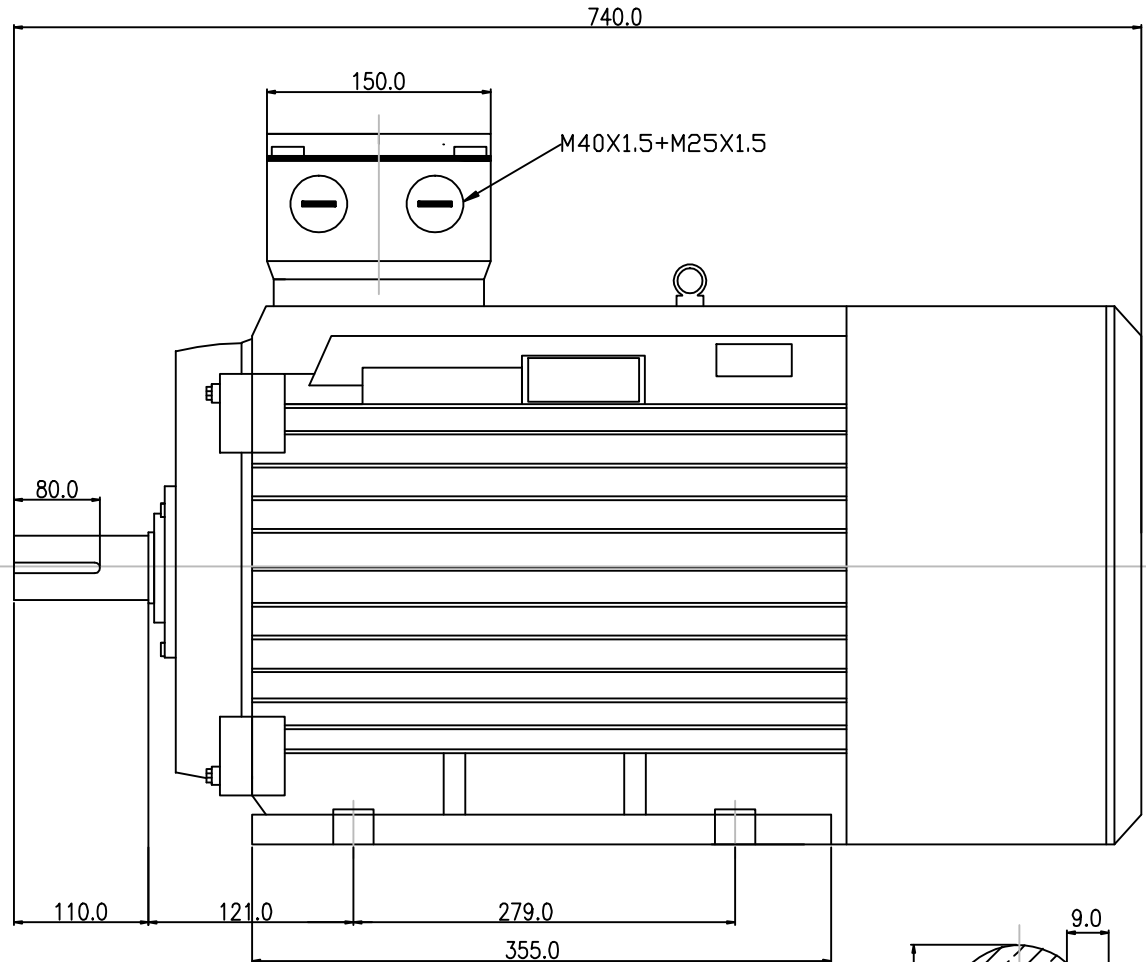
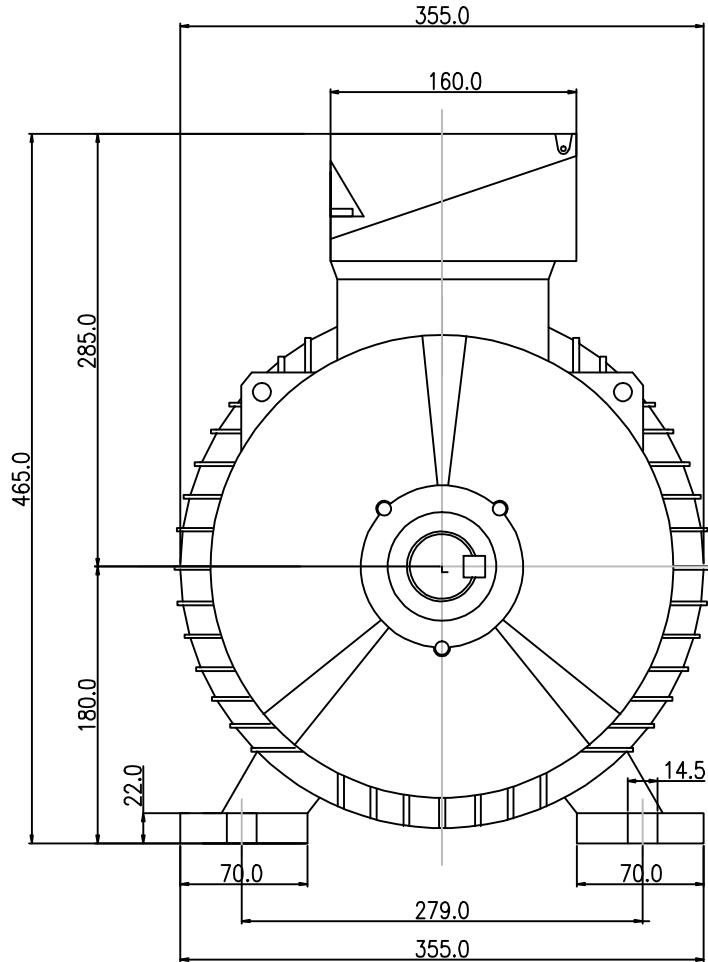


DRG.NO

EF180L-B3

FRAME

EF180L



SHAFT DETAIL



3 CORD STREET
 DUDLEY PARK SA 5008
 Ph: (08) 8269 4000
 Fax: (08) 8269 4000
 www.roycecross.com.au



DRAFTING
 STANDARD
 AS 1100

SIZE
 A4

ALL DIMENSIONS ARE IN mm
 UNLESS OTHERWISE SPECIFIED
 TOL. 1 PLACE DECIMAL ± 0.25 ANGLE $\pm 0.30^\circ$
 2 PLACE DECIMAL ± 0.13

TITLE
 THREE PHASE INDUCTION MOTORS-TOP TERMINAL BOX
 (FOOT MOUNT B3 EF180L)

DESCRIPTIONS

DRN	NL	DATE	5.12.08
CHK		APPD	
SCALE	NTS		

BRAND



DRG NO

EF180L-B3

REV

CODE No.