

8	DRC.NO FQ2911562J	7	MATERIAL	6	SPECIFICATION	5	GENERAL TOLERANCE ON DIMENSIONS	4	MACHINED SURFACES SHOWN BY	3	CONTROL CHARACTERISTICS	2	SAFETY CHARACTERISTIC	1	IF IN DOUBT, ASK ALL DIMENSIONS ARE IN mm UNLESS OTHERWISE SPECIFIED
							1 PLACE DECIMAL ± 0.25 ANGLE ± 0.30 2 PLACE DECIMAL ± 0.13	▽ ROUGH FINISH ▽▽ SMOOTH FINISH	□ MANDATORY MEASUREMENT ◇ FIT/FUNCTION SPC	△ SAFETY CHARACTERISTIC					

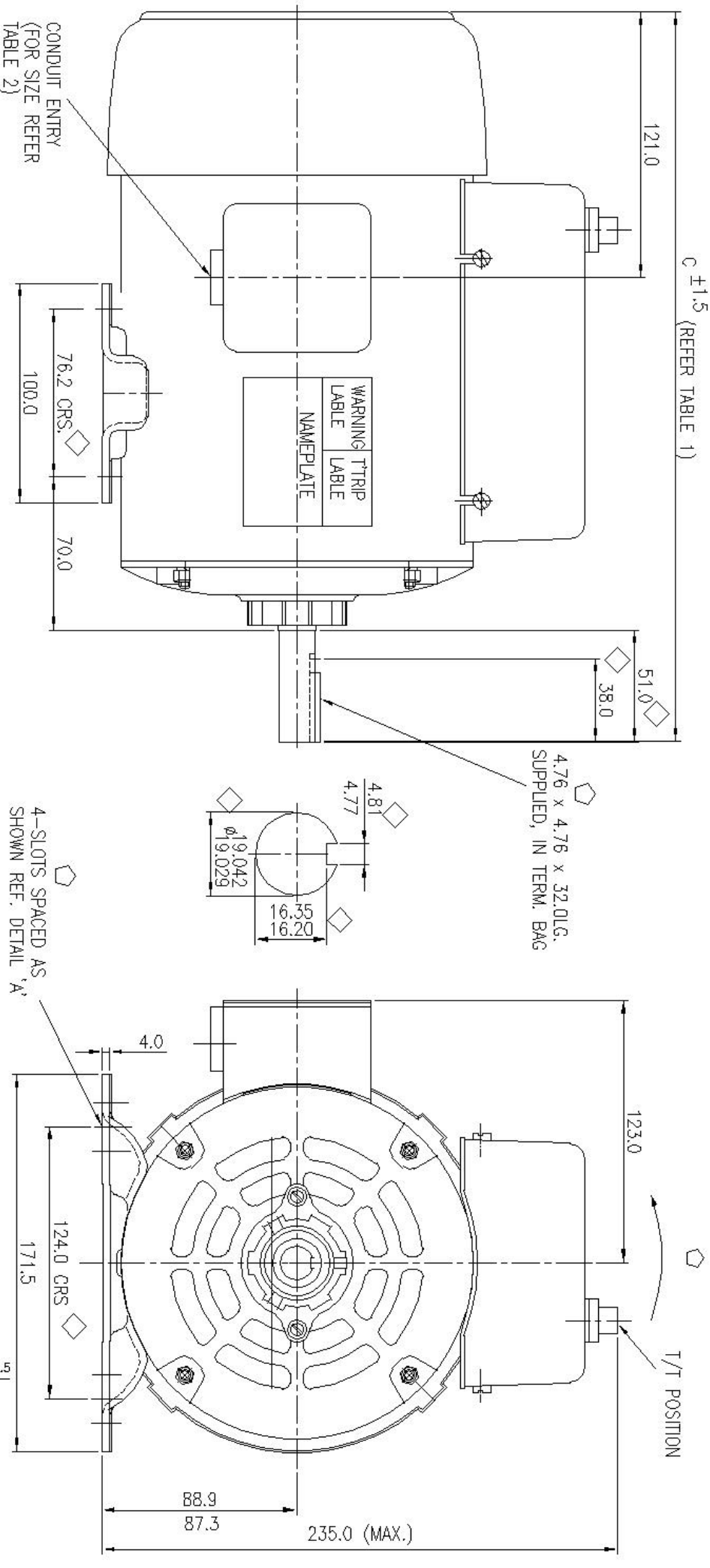


TABLE 2

TYPE	CONDUIT TAPPED HOLE SIZE	USED ON	REMARK
X	3/4" BS.	HOME MARKET	
Y	M20x1.5P	EXPORT	OTHER THAN CANADA & USA
W	----	W/O CONDUIT HOLE	

TABLE 1

RATING	2.0HP	2.7HP	3.0HP
FREQ.	50 Hz	50Hz	50Hz
CGL.FRAME	58	59 LONGER	59EL
C	346.0	361.0	376.0

R	DATE	R	DATE	R	DATE	R	DATE	R	DATE	R	DATE	R	DATE	R	DATE		
DRN	CHD	APPD	DRN	CHD	APPD	DRN	CHD	APPD	DRN	CHD	APPD	DRN	CHD	APPD	DRN	CHD	
DIGN No.		DIGN No.		DIGN No.		DIGN No.		DIGN No.		DIGN No.		DIGN No.		DIGN No.		DIGN No.	

IN TABLE 1 'C' 346.0, FRAME 58EL ADDED.
361.0, 376.0 WERE 329.0, 350.0, 372.0 FROM 1st print.

SCALE 1:2
DATA FR.56 SCALED
STORAGE

COMPRESSION DUTY FRAME B56
DPFC
FOOT MOUNTED MOTOR

REV 2
FQ2911562

