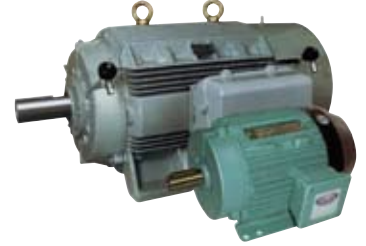
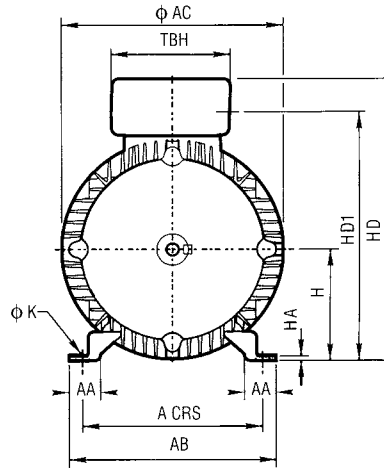
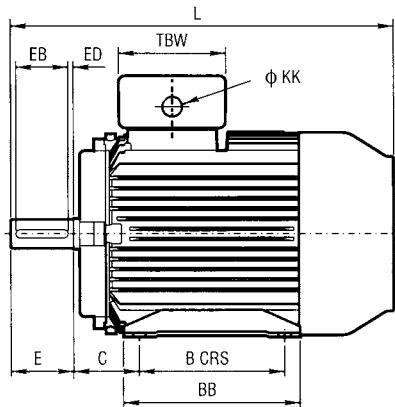


# GLOBAL GD SERIES

## Dimensions : Frame Sizes 63 to 132M

### Foot Mounting



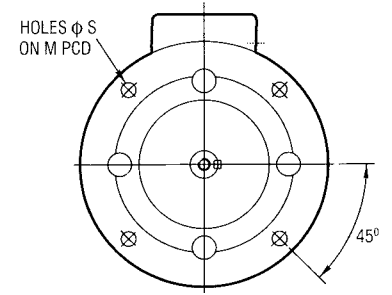
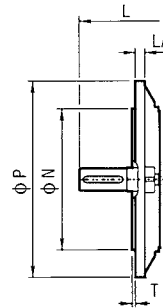
Type	A	B	C	H	K	L	AA	AB	AC	BB	HA	HD	HD1	TBW	Terminal box TBH	KK
GD63	100	80	40	63	7	207	19	119	126	100	2	163	138	86	86	20
GD71	112	90	45	71	7	238	19	131	140	110	2	186	162	86	86	20
GD80	125	100	50	80	10	278	27	157	160	127	4	212	183	86	86	20
GD90S	140	100	56	90	10	322	28	164	178	150	4	225	201	86	86	20
GD90L	140	125	56	90	10	322	28	164	178	150	4	225	201	86	86	20
GD100L	160	140	63	100	12	368	28	184	199	170	4	254	223	106	106	20
GD112M	190	140	70	112	12	382	35	218	215	170	4	279	245	127	127	25
GD132S	216	140	89	132	12	451	38	242	255	208	5	320	287	127	127	25
GD132M	216	178	89	132	12	451	38	242	255	208	5	320	287	127	127	25

### Approximate shipping specifications

Type	Net weight (kg)	Gross weight (kg)	Cubage (m <sup>3</sup> )
GD63	5	5.4	0.01
GD71	6.5	6.9	0.01
GD80	9	10	0.02
GD90S	12.5	13.5	0.03
GD90L	14.5	15.5	0.03
GD100L	24.3	27	0.038
GD112M	29.4	33	0.05
GD132S	45	50	0.071
GD132M	50	56	0.076

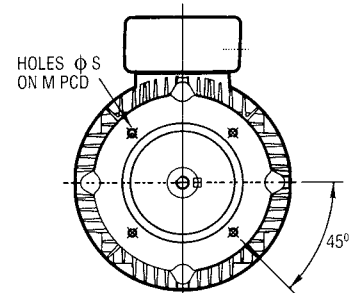
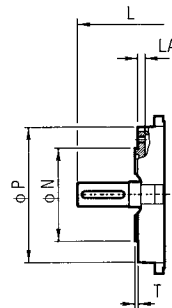
### IM B5 Mounting

Type	M	N	P	S	T	LA
GD63	115	95	140	10	3	7
GD71	130	110	160	10	3.5	7
GD80	165	130	200	12	3.5	12
GD90S	165	130	200	12	3.5	10
GD90L	165	130	200	12	3.5	10
GD100L	215	180	250	14.5	4	12
GD112M	215	180	250	14.5	4	12
GD132S	265	230	300	14.5	4	12
GD132M	265	230	300	14.5	4	12



### IM B14 Mounting

Type	M	N	P	S	T	LA
GD63	75	60	90	M5	2.5	7
GD71	85	70	105	M6	2.5	9
GD80	100	80	120	M6	3	9
GD90S	115	95	140	M8	3	9
GD90L	115	95	140	M8	3	9
GD100L	130	110	160	M8	3.5	12.5
GD112M	130	110	164	M8	3.5	13
GD132S	165	130	200	M10	3.5	14
GD132M	165	130	200	M10	3.5	14



### Shaft Dimensions

Type	Shaft D	E	F	G	GD	EB	ED	DH
GD63	11	23	4	8.5	4	10	13	M4X10
GD71	14	30	5	11	5	20	5	M5X12.5
GD80	19	40	6	15.5	6	32	4	M6X16
GD90S	24	50	8	20	7	40	5	M8X19
GD90L	24	50	8	20	7	40	5	M8X19
GD100L	28	60	8	23.9	7	50	5	M10X22
GD112M	28	60	8	23.9	7	50	5	M10X22
GD132S	38	80	10	33	8	70	5	M12X28
GD132M	38	80	10	33	8	70	5	M12X28

