



GLOBAL Motors



CG Crompton
Greaves
EVERYDAY SOLUTIONS

CROMPTON GREAVES GLOBAL ELECTRIC MOTORS

Crompton Greaves Ltd., is a leading manufacturer of electric motors for the global industrial market, our products are used in almost every industrial activity.

Crompton Greaves Ltd., low voltage general purpose motor is designed for use in general industry, meeting the demands of standard applications for Australian Industry and OEM's. Motors have a high build quality, can be modified to meet most specifications and offer all the features needed for industry. We have extensive stocks of motors around the world with widespread local support in Australia.

GLOBAL GD Series Aluminium Motors

The Global GD Series Aluminium Motor range covers outputs from 0.18kW - 7.5kW and are featured with Multi-Mount facility. By simply changing the position of the feet, the user is able to obtain right, left or top mounted terminal box positions. By replacing the drive end endshield with a face or flange endshields, the motor mounting can be changed to face / flange.

GLOBAL ND Series Cast Iron Motors

The Global ND Series cast iron motor range covers outputs from 11kW - 450kW and feature a cast iron construction with terminal box on the right hand side looking from drive end. They are suitable for use in a diverse range of applications.

MEPS 2 Compliance (Eff 1)

Crompton Greaves has developed a complete range of motors conforming to the new Australian efficiency standard of AS/NZS 1359.5.2004 for minimum efficiency motors. Each motor is tested in sophisticated test plant with high accuracy test equipment and data acquisition instrumentation. The test plant is approved by CSA.

Standards

Crompton Greaves Global motors are compliant with Australian Standard AS1359 and international performance standard IEC 60034 and dimension and rated output standard IEC 60072-1.

Global Benefits

- **MEPS2 compliant efficiency for low running costs.**
- **Low noise levels.**
- **Long insulation life and cool running.**
- **Dual frequency 50hZ and 60hZ.**
- **High power factors.**
- **IP55 Protection, terminal box IP56.**
- **Simplicity of maintenance.**
- **4-position cable entry.**
- **High torque with smooth acceleration and low current.**
- **Wide Voltage 415V +/- 10%.**

Special design Features

Efficiencies at 50% and 75% load are close to the full load efficiencies for true energy saving. Efficiency is achieved by the following steps in design and construction of the motors

- Low-loss and superior magnetizing quality cores are used to minimize iron loss
- Stator and rotor lamination designs are optimized to reduce copper loss. Thicker conductors and more copper content reduce copper loss due to low resistance.
- Friction & Windage losses are reduced by optimized design of fan and fan cover.
- The components are made with high accuracy and close tolerances to maintain uniform air gap between stator and rotor and reduce stray load losses.

PERFORMANCE / ELECTRICAL DATA:

3 - Phase TEFC SCR Induction Motor

Range:	0.18 kW to 450 kW, (2 pole to 8 pole)
Frame sizes:	63 to 400 for TEFC
Voltage:	415V +/- 10%
Frequency:	50hZ +/- 5% & 60Hz
Type:	Squirrel Cage (SCR)
Rating:	Continuous S1
Insulation:	Class 'F'
Ambient:	40 Deg C
Temp. Rise R :	80 Deg C
Degree of Protection:	IP55 (optional IP56)
Rotation:	Suitable for either direction
Temperature:	-20° C - 45° C below 1000m altitude
Mounting:	B3,B5,B35,B6,B7,B8,B34, V1,V3,V5,V6,V36,V18
Frame Construction:	GD ALUMINIUM ND CAST IRON
Terminal Box:	Rotatable 4x90° increments, IP56 GD series - Multi Mount ND series - Right Hand side from DE, interchangeable to left hand side.
Name plate:	Corrosion free stainless steel
Bearings:	Pre-lubricated bearings to 160 frame Above 160 frame pressure grease relief system
Fans:	Polypropylene to 280 frame
Finish:	Standard surface finish is high quality enamel with final paint colour Green.
Connections:	230 Volt Delta / 415V Star 100 Frame & below 415 Volt Delta / 720 Volt Star 112M & above
Thermistors:	Fitted Standard to frames 160 & above

OPTIONS:

- Standard voltage 415Volts 50hZ 3 Phase, other voltages up to 1100Volt can be supplied on request.
- IP56/IP65 Enclosure
- Metal fan blades
- Class H Insulation
- Anti-condensation heaters and tropic proof motors
- Thermistor protection
- Special paint finishes
- Shaft Extensions
- Stainless hardware
- Brake kits fitted
- Double extensions shafts
- Special shaft extensions
- Stainless Steel shaft

Brake Motors

Crompton Greaves manufacture a range of industrial brake motors, please refer to back page for details.

Quality Assurance

Stringent quality procedures are observed from first design to finished product in accordance with the ISO 9001 documented quality systems, assurance that only the highest possible standard of quality is accepted.

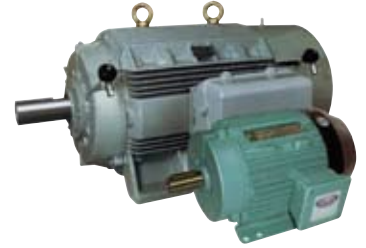
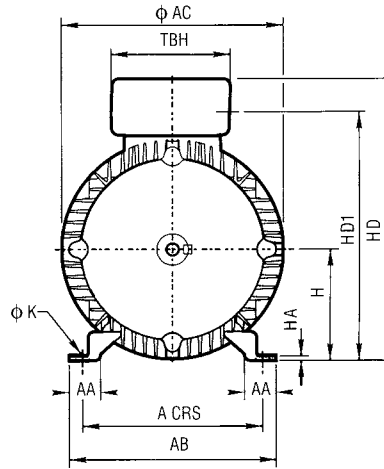
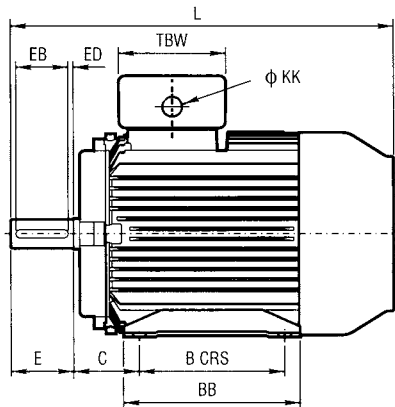
PERFORMANCE DATA

OUTPUT		P O L E	FRAME SIZE	FL RPM	FLC AMPS. 415 V	EFF (%)	DOL STG.		NET WT. KG	BEARINGS	
kW	HP					FL	STG.T	STG.C		DE	NDE
						% FLT	% FLC				
0.18	0.25	2	GD63	2810	0.53	69	190	350	5	6202ZZ	6202ZZ
		4	GD63	1370	0.56	66	220	310	5	6202ZZ	6202ZZ
		6	GD71	910	0.65	64	170	300	6.5	6003ZZ	6003ZZ
0.25	0.33	2	GD63	2810	0.62	70	230	450	5	6202ZZ	6202ZZ
		4	GD71	1400	0.72	71	180	400	6.5	6003ZZ	6003ZZ
		6	GD71	920	0.91	64	170	300	6.5	6003ZZ	6003ZZ
0.37	0.5	2	GD71	2820	0.95	70.2	250	500	6.5	6003ZZ	6003ZZ
		4	GD71	1400	1	73	225	600	6.5	6003ZZ	6003ZZ
		6	GD80	910	1.05	69.4	210	400	9	6204ZZ	6003ZZ
		8	GD90S	680	1.4	66.8	170	400	12.5	6205ZZ	6203ZZ
0.55	0.75	2	GD71	2800	1.3	74	250	500	6.5	6003ZZ	6003ZZ
		4	GD80	1410	1.25	78	200	500	9	6204ZZ	6003ZZ
		6	GD80	910	1.55	72	200	400	9	6204ZZ	6003ZZ
		8	GD90L	680	1.8	71.1	150	400	14.5	6205ZZ	6203ZZ
0.75	1	2	GD80	2823	1.54	80.5	250	513	9	6204ZZ	6003ZZ
		4	GD80	1410	1.7	82.5	200	500	9	6204ZZ	6003ZZ
		6	GD90S	935	2	77.7	200	400	12.5	6205ZZ	6203ZZ
		8	GD100L	700	2.55	73.8	175	400	24.3	6206ZZ	6205ZZ
1.1	1.5	2	GD80	2820	2.35	82.8	200	600	9	6204ZZ	6003ZZ
		4	GD90S	1415	2.4	83.8	200	500	12.5	6205ZZ	6203ZZ
		6	GD90L	935	2.8	79.97	200	500	14.5	6205ZZ	6203ZZ
		8	GD100L	700	3.35	76.3	160	400	24.3	6206ZZ	6205ZZ
1.5	2	2	GD90S	2830	3.1	84.1	225	600	12.5	6205ZZ	6203ZZ
		4	GD90L	1415	3	85	200	600	14.5	6205ZZ	6203ZZ
		6	GD100L	935	3.8	81.5	200	500	24.3	6206ZZ	6205ZZ
		8	GD112M	700	3.9	78.4	190	400	29.4	6206ZZ	6205ZZ
2.2	3	2	GD90L	2830	4.4	85.6	225	650	14.5	6205ZZ	6203ZZ
		4	GD100L	1440	4.3	86.4	200	600	24.3	6206ZZ	6205ZZ
		6	GD112M	950	5.1	84	200	500	29.4	6206ZZ	6205ZZ
		8	GD132S	710	5.4	80.9	180	500	45	6208ZZ	6305ZZ
3	4	2	GD100L	2865	5.5	86.7	225	700	24.3	6206ZZ	6205ZZ
		4	GD100L	1425	7.80	87.4	200	700	24.3	6206ZZ	6205ZZ
		6	GD132S	940	8.70	84.9	200	700	45	6208ZZ	6305ZZ
		8	GD132M	710	9.50	82.7	170	700	50	6208ZZ	6305ZZ
4	5	2	GD112M	2875	7.3	87.6	250	650	29.4	6206ZZ	6205ZZ
		4	GD112M	1440	8	88.3	200	600	29.4	6206ZZ	6205ZZ
		6	GD132S	950	8.6	86.1	200	600	45	6208ZZ	6305ZZ
		8	ND160M	710	8.9	84.2	150	700	125	6309-2RS	6309-2RS
5.5	7.5	2	GD132S	2865	9.7	88.6	250	600	45	6208ZZ	6305ZZ
		4	GD132S	1450	10.6	89.2	250	600	45	6208ZZ	6305ZZ
		6	GD132M	950	11.6	87.4	200	600	50	6208ZZ	6305ZZ
		8	ND160M	710	12	85.1	150	700	125	6309-2RS	6309-2RS
7.5	10	2	GD132S	2880	13.3	89.5	200	650	45	6208ZZ	6305ZZ
		4	G0132M	1455	13.8	90.1	250	650	52	6208ZZ	6305ZZ
		6	ND160M	975	15	88.5	200	700	125	6309-2RS	6309-2RS
		8	ND160L	710	16	86.4	150	700	148	6309-2RS	6309-2RS
11	15	2	ND160M	2920	19	90.6	225	700	125	6309-2RS	6309-2RS
		4	ND160M	1460	21	91	200	700	125	6309-2RS	6309-2RS
		6	ND160L	975	21	89.8	200	700	148	6309-2RS	6309-2RS
		8	ND180L	720	23	88.1	175	700	210	6310-2RS	6310-2RS
15	20	2	ND160M	2920	26	91.3	225	700	125	6309-2RS	6309-2RS
		4	ND160L	1460	27	91.8	200	700	148	6309-2RS	6309-2RS
		6	ND180L	975	29	90.7	225	700	210	6310-2RS	6310-2RS
		8	ND200L	725	33	89	225	700	282	6312-2RS	6312-2RS
18.5	25	2	ND160L	2920	32	91.8	225	700	148	6309-2RS	6309-2RS
		4	ND180M	1475	33	92.2	200	700	174	6310-2RS	6310-2RS
		6	ND200L	975	34	91.3	200	700	282	6312-2RS	6312-2RS
22	30	2	ND180M	2930	40	92.2	225	700	164	6310-2RS	6310-2RS
		4	ND180L	1475	39	92.6	200	700	210	6310-2RS	6310-2RS
		6	ND200L	975	40	91.8	200	700	282	6312-2RS	6312-2RS
30	40	2	ND200L	2950	50	92.9	200	700	282	6312-2RS	6312-2RS
		4	ND200L	1475	50	93.2	250	700	282	6312-2RS	6312-2RS
		6	ND225M	980	53	92.6	200	700	375	6313-2RS	6313-2RS
37	50	2	ND200L	2950	61	93.3	200	700	282	6312-2RS	6312-2RS
		4	ND225S	1480	62	93.9	250	700	345	6313-2RS	6313-2RS
		6	ND250M	980	66	93	250	700	473	6314-C3	6314-C3
45	60	2	ND225M	2955	71	93.7	225	700	375	6313-2RS	6313-2RS
		4	ND225M	1480	75	93.9	250	700	375	6313-2RS	6313-2RS
		6	ND280S	980	79	93.4	250	700	600	6318-C3	6318-C3
55	75	2	ND250M	2955	87	94	175	700	473	6314-C3	6314-C3
		4	ND250M	1475	91	94.2	200	700	473	6314-C3	6314-C3
		6	ND280M	980	95	93.8	175	700	670	6318-C3	6318-C3
75	100	2	ND280S	2975	123	94.6	225	700	600	6314-C3	6314-C3
		4	ND280S	1480	122	94.7	250	700	600	6318-C3	6318-C3
		6	ND315S	987	129	94.2	250	700	900	6319-C3	6319-C3
90	120	2	ND280M	2975	146	95	225	700	670	6314-C3	6314-C3
		4	ND280M	1480	146	95	250	700	670	6318-C3	6318-C3
		6	ND315M	987	154	94.5	250	700	950	6319-C3	6319-C3
110	150	2	ND315S	2965	171	95.1	200	700	900	6315-C3	6315-C3
		4	ND315S	1488	175	95.3	225	700	900	6319-C3	6319-C3
		6	ND315M	987	188	94.6	250	700	950	6319-C3	6319-C3

GLOBAL GD SERIES

Dimensions : Frame Sizes 63 to 132M

Foot Mounting



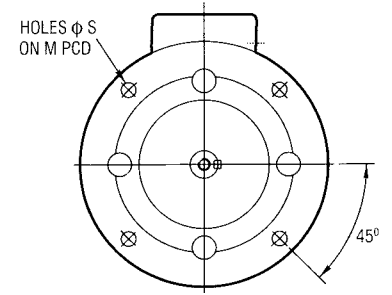
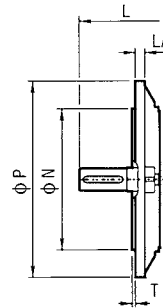
Type	A	B	C	H	K	L	AA	AB	AC	BB	HA	HD	HD1	TBW	Terminal box TBH	KK
GD63	100	80	40	63	7	207	19	119	126	100	2	163	138	86	86	20
GD71	112	90	45	71	7	238	19	131	140	110	2	186	162	86	86	20
GD80	125	100	50	80	10	278	27	157	160	127	4	212	183	86	86	20
GD90S	140	100	56	90	10	322	28	164	178	150	4	225	201	86	86	20
GD90L	140	125	56	90	10	322	28	164	178	150	4	225	201	86	86	20
GD100L	160	140	63	100	12	368	28	184	199	170	4	254	223	106	106	20
GD112M	190	140	70	112	12	382	35	218	215	170	4	279	245	127	127	25
GD132S	216	140	89	132	12	451	38	242	255	208	5	320	287	127	127	25
GD132M	216	178	89	132	12	451	38	242	255	208	5	320	287	127	127	25

Approximate shipping specifications

Type	Net weight (kg)	Gross weight (kg)	Cubage (m ³)
GD63	5	5.4	0.01
GD71	6.5	6.9	0.01
GD80	9	10	0.02
GD90S	12.5	13.5	0.03
GD90L	14.5	15.5	0.03
GD100L	24.3	27	0.038
GD112M	29.4	33	0.05
GD132S	45	50	0.071
GD132M	50	56	0.076

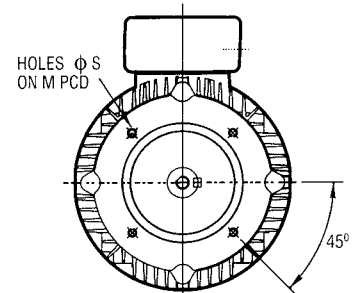
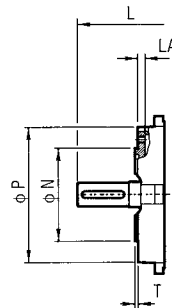
IM B5 Mounting

Type	M	N	P	S	T	LA
GD63	115	95	140	10	3	7
GD71	130	110	160	10	3.5	7
GD80	165	130	200	12	3.5	12
GD90S	165	130	200	12	3.5	10
GD90L	165	130	200	12	3.5	10
GD100L	215	180	250	14.5	4	12
GD112M	215	180	250	14.5	4	12
GD132S	265	230	300	14.5	4	12
GD132M	265	230	300	14.5	4	12



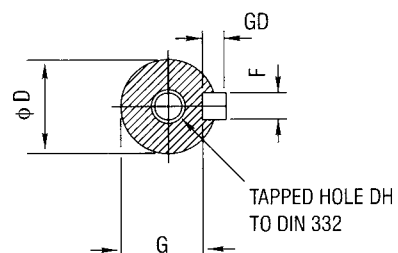
IM B14 Mounting

Type	M	N	P	S	T	LA
GD63	75	60	90	M5	2.5	7
GD71	85	70	105	M6	2.5	9
GD80	100	80	120	M6	3	9
GD90S	115	95	140	M8	3	9
GD90L	115	95	140	M8	3	9
GD100L	130	110	160	M8	3.5	12.5
GD112M	130	110	164	M8	3.5	13
GD132S	165	130	200	M10	3.5	14
GD132M	165	130	200	M10	3.5	14



Shaft Dimensions

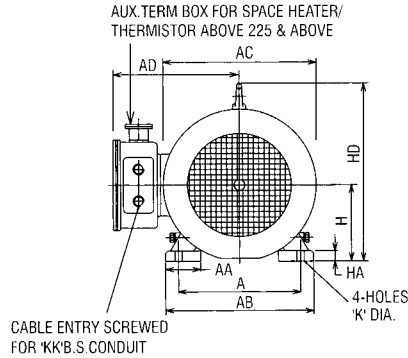
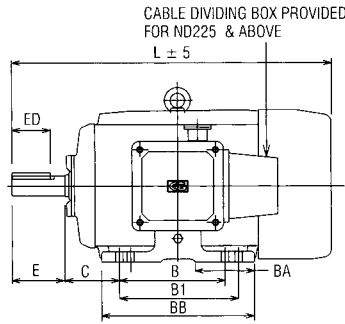
Type	Shaft D	E	F	G	GD	EB	ED	DH
GD63	11	23	4	8.5	4	10	13	M4X10
GD71	14	30	5	11	5	20	5	M5X12.5
GD80	19	40	6	15.5	6	32	4	M6X16
GD90S	24	50	8	20	7	40	5	M8X19
GD90L	24	50	8	20	7	40	5	M8X19
GD100L	28	60	8	23.9	7	50	5	M10X22
GD112M	28	60	8	23.9	7	50	5	M10X22
GD132S	38	80	10	33	8	70	5	M12X28
GD132M	38	80	10	33	8	70	5	M12X28



GLOBAL ND SERIES

Dimensions : Frame Sizes 160M to 355LX

Foot Mounting

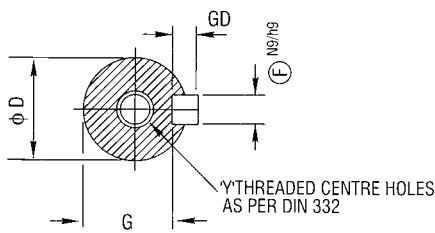


- MOUNTING OPTION FOOT**
- IMB3 / IM1001
 - IMB6 / IM1051
 - IMB7 / IM1061
 - IMB8 / IM1071
 - IMV5 / IM1011
 - IMV6 / IM1031



FRAME SIZE	FOOT FIXING											OVERALL (MAX)									
	A	B	B1	C	H	AA	AB	BA	BB	K	AD	AD1	AC	L	HD	HD1	HA	KK			
ND160M	254	210	-	108	160.0	73	308	76	254	15.5	275	-	318	605	376	435	22	2Nos.-1"			
ND160L	254	254	-	159.7	180.0	84	348	95	286	15.5	295	-	352	677	418	475	22				
ND 180M	279	241	-	121	179.7	84	348	95	323	15.0	295	-	352	715	418	475	22				
ND 180L	279	279	-	121	199.5	66	381	115	356	19.5	345	-	428	805	480	545	25				
ND 200L	318	305	-	133	200.0	66	381	115	356	19.0	345	-	428	805	480	545	25	2Nos.-1.5"			
ND 225S	356	286	-	149	225.0	70	425	102	375	19.5	375	-	470	880	534	600	25				
ND 225M	-	311	-	149	224.5	70	425	102	375	19.0	375	-	470	880	534	600	25				
ND 250S	406	311	-	168	250.0	80	483	135	419	24.5	405	285	500	940	598	730	32				
ND 250M	-	349	-	168	249.5	80	483	135	419	24.0	405	285	500	940	598	730	32	2Nos.-2"			
ND 280S	457	368	-	190	280.0	100	538	167	487	24.5	430	-	536	1085	642	810	35				
ND 280M	-	419	-	190	279.0	100	538	167	487	24.0	430	-	536	1085	642	810	35				
ND 315S	508	406	-	216	315.0	110	597	164	533	28.5	510	375	588	1230	725	845	38				
ND 315M	-	457	-	216	314.0	110	597	164	533	28.0	510	375	588	1230	725	845	38	2Nos.-2.5"			
ND 315L	508	508	-	216	314.0	110	610	230	740	28.5	570	-	655	1375	755	885	35				
ND355S	610	500	-	254	355.0	110	710	253	745	28.5	560	420	672	1513	760	950	40				
ND355M	-	560	-	254	354.0	110	710	253	745	28.0	560	420	672	1513	760	950	40				
ND355L	610	630	-	254	354.0	110	710	253	745	28.0	600	-	720	1570	827	-	-	40			
ND355LX	610	630	-	254	354.0	110	710	250	880	28.0	600	-	720	1570	827	-	-	40			

Shaft Dimensions



FRAME SIZE	D TOL.	E	ED	F TOL.	GD TOL.	G	L
ND225S	55.030	110	80	16.00	10.0	49.0	850
ND225M	55.011	110	80	15.957	9.91	48.8	850
ND250S	60.030	140	110	18.00	11.00	53.0	940
ND250M	60.011	140	110	17.957	10.91	52.8	940
ND280S	65.030	170	140	20.00	12.00	58.0	1085
ND280M	65.011	170	140	19.948	11.91	57.8	1085
ND315M	70.030	170	140	20.00	12.00	62.5	1200
ND315L	70.011	170	140	19.948	11.91	62.3	1200
ND355 S/M/L	75.030	210	160	20.00	12.00	67.5	1473
ND355LX	75.011	210	160	19.948	11.91	67.3	1473

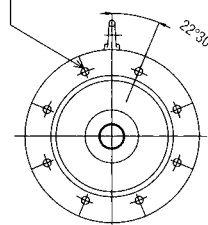
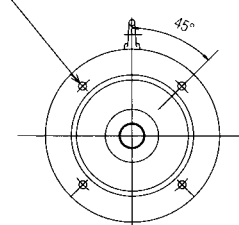
FRAME SIZE	SHAFT AND KEYWAY						
	D	E	ED	F	G	GD	YxDEEP
ND160M	42.018			12.00	8.00	37.0	M16x32
ND160L	42.002			11.957	7.91	36.8	
ND180M	48.018	110	80	14.00	9.00	42.5	
ND180L	48.002	110	80	13.957	8.91	42.3	
ND200L	55.030			16.00	10.00	49.0	M20x40
ND200L	55.011			15.957	9.91	48.8	
ND225S	60.030	140	110	18.00	11.00	53.0	
ND225M	60.011	140	110	17.957	10.91	52.8	
ND250S	65.030	170	140	20.00	12.00	57.8	M24x50
ND250M	65.011	170	140	19.948	11.91	57.6	
ND280S	75.030	210	160	22.00	14.00	71.0	
ND280M	75.011	210	160	21.948	13.91	70.8	
ND315S	80.030	210	160	25.00	15.89	81.0	M24x50
ND315M	80.011	210	160	24.948	15.89	80.8	
ND315L	90.035	210	160	28.000	16.00	90.0	
ND315L	90.013	210	160	27.948	15.89	89.8	
ND355S	100.035	210	160	28.000	16.00	90.0	M24x50
ND355M	100.013	210	160	27.948	15.89	89.8	
ND355L	100.013	210	160	28.000	16.00	90.0	
ND355LX	100.013	210	160	27.948	15.89	89.8	

Dimensions : Frame Sizes 160M to 355LX

IM B5 Mounting

4-HOLES FOR FRAME 160-200
DRILLED ϕ 'S' ON 'M' P.C.D.

8-HOLES FOR FRAME 225-315
DRILLED ϕ 'S' ON 'M' P.C.D.



FRAME SIZE	FLANGE FIXING					
	M TOL.	N TOL.	P	S	LA	T
ND160M						
ND160L	300.5	250.016	350		18	
ND180M	299.5	249.987				
ND180L						
ND200L	350.5	300.018	400		15	
ND225S	349.5	299.982				
ND225M	400.5	350.018	450	19	5	
ND225M	399.5	349.982				
ND250S						
ND250M	500.5	450.020	550		19	
ND280S	499.5	449.980				
ND280M						

FRAME SIZE	FLANGE FIXING					
	M TOL.	N TOL.	P	S	LA	T
ND315S						
ND315M	601.0	550.022	660		25	
ND315L	599.0	549.978				
ND355S					24	6
ND355M	741.0	680.025	800		28	
ND355L	739.0	679.975				
ND355LX						

Crompton Greaves Global Brake Motors

High Torque Three Phase DC Brake Motors, SCR, TEFC, IP55 Protection with Manual Release

Description:	Global brake motors are fitted with DC brakes. Standard DC brake reaction times are suitable for the majority of applications.
Insulation:	Class 'F' with Class 'B' Temperature Rise.
Voltage:	230V/415V Delta / Star up to 100 frame and 415/720V Delta / Star 112M and 132 frame, 3 phase 50Hz Supply.
Construction:	GD Aluminum Frames
Frames:	80 - 132M
Output Range:	0.75 - 7.5kW
Voltage:	415V +/- 10%
Frequency:	50Hz +/- 5% & 60Hz
Degree of Protection:	IP55
Dimensions:	As per Australian Standard AS1359

REFER TO STANDARD GLOBAL MOTOR DIMENSIONAL & PERFORMANCE / ELECTRICAL DATA FOR MORE DETAILS

Motor Output		Brake details		4 Pole	Dimensions**
KW	HP	Size	NM	Frame	L (mm)
0.75	1.0	10	16	GD80	338
1.1	1.5	10	16	GD90S	394
1.5	2.0	12	32	GD90L	394
2.2	3.0	12	32	GD100L	458
3.0	4.0	14	60	GD100L	458
4.0	5.5	14	60	GD112M	482
5.5	7.5	16	80	GD132S	571
7.5	10.0	18	80	GD132M	571

**Refer to for "L" GD series dimension page

*2, 6 & 8 pole available on indent

Crompton Greaves FHP B56 Single Phase Motors

Crompton Greaves FHP motors offer an extensive range of single phase fractional horse power motors.

Range:	B56 motors 0.25kW - 1.1kW, 2, 4 & 6 Pole, 240V & 415V motors B100S 1.1kW - 2.2kW, 4 Pole, 240V motors B48 frame FHP available from 2007		
Enclosures:	Totally Enclosed Fan Cooled or Open Drip Proof		
Range:	Standard multi purpose motors, cement mixer motors, compressor motors, resilient mount & flange mounted motors including B5, Nema & B56 Flanges.		
Construction:	Rolled Steel shell with die cast end shields and pressed metal base.		
Benefits:	<table border="0" style="width: 100%;"> <tr> <td style="vertical-align: top;"> <ul style="list-style-type: none"> • Proven reliability • Strong metal fan cowls & capacitor boxes • Designed for Australian conditions • In-built Thermal Overload Protection • C-tick & CE Approved </td> <td style="vertical-align: top;"> Optional Extra's: <ul style="list-style-type: none"> • On/Off Switches • Lead & Plug • Nema, B56 & B5 Flange options </td> </tr> </table>	<ul style="list-style-type: none"> • Proven reliability • Strong metal fan cowls & capacitor boxes • Designed for Australian conditions • In-built Thermal Overload Protection • C-tick & CE Approved 	Optional Extra's: <ul style="list-style-type: none"> • On/Off Switches • Lead & Plug • Nema, B56 & B5 Flange options
<ul style="list-style-type: none"> • Proven reliability • Strong metal fan cowls & capacitor boxes • Designed for Australian conditions • In-built Thermal Overload Protection • C-tick & CE Approved 	Optional Extra's: <ul style="list-style-type: none"> • On/Off Switches • Lead & Plug • Nema, B56 & B5 Flange options 		



Crompton Greaves products available on indent.

Three Phase, HT Induction and Synchronous Machines	Three Phase, LT Induction Motors and Generators (Large Machines)
AC Generators	Drip Proof Three Phase Motors
NEMA Motors	Single Phase Global Metric Frame Motors

Accessories and optional extra's

VF Drives	Slide Rails	Reduction Gearboxes	Starters, Switchgear & Accessories	Rain Cowls and Low Noise Fans
-----------	-------------	---------------------	------------------------------------	-------------------------------

Crompton Greaves Products are sold and recommended by:

Royce Cross Agencies
3 Cord Street, Dudley Park, 5008, South Australia
Ph: 08 8269 4000 Fax: 08 8269 6699
Email: sales@roycecross.com.au
Web: www.roycecross.com.au
 ABN: 43 515 678 742