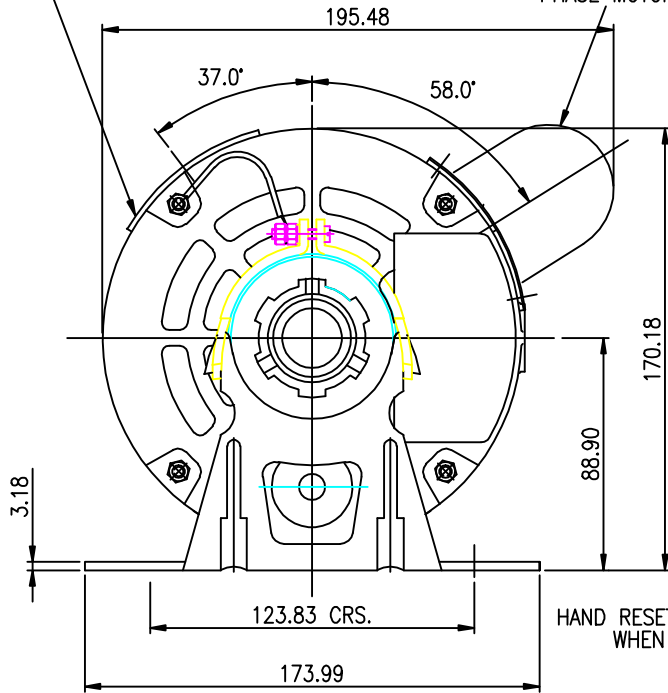


NAMEPLATE READ FROM
OPP. CONDUIT ENTRY
SIDE.

CAPACITOR START (NOT APPLICABLE
FOR SPLIT PHASE AND THREE
PHASE MOTOR.)

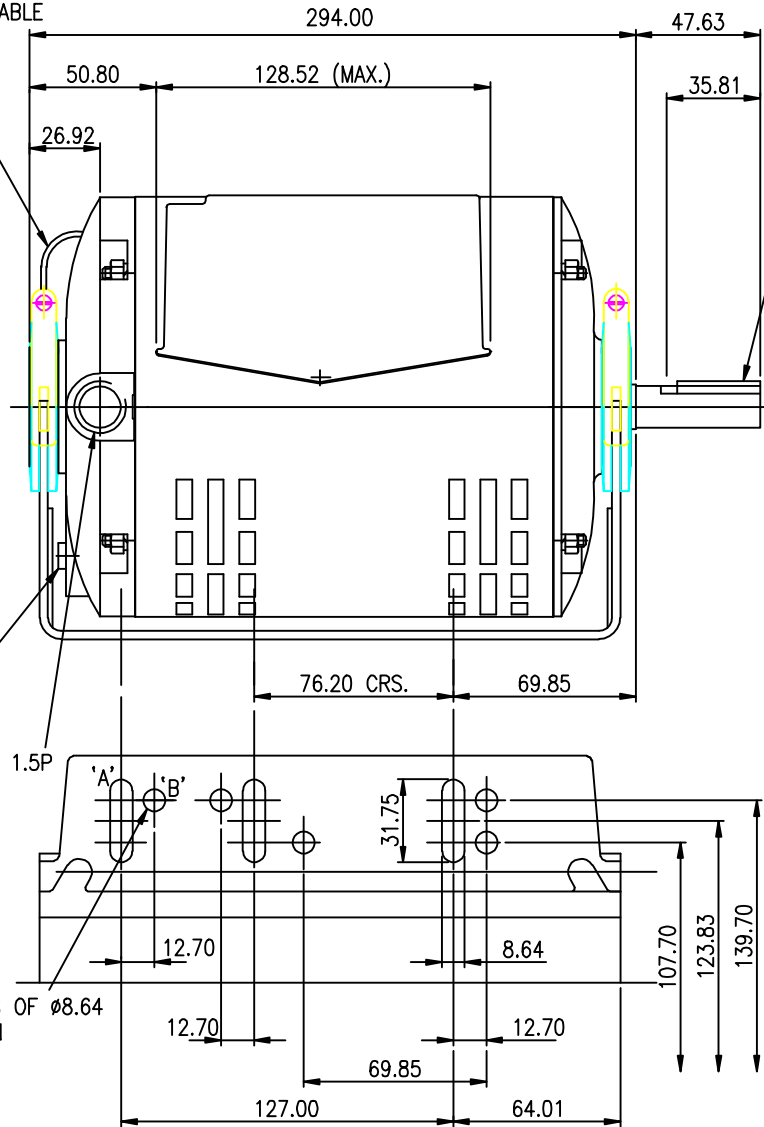


EARTHING WIRE

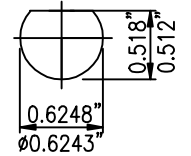
HAND RESET T/T KNOB
WHEN FITTED.

M20 x 1.5P

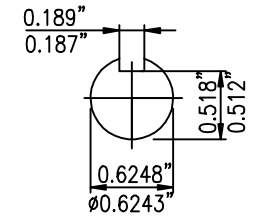
10-HOLES OF Ø8.64
AS SHOWN



3/16" x 3/16" x 1.25" LONG
SUPPLIED STUCK ON
NAMEPLATE.



FLAT SECTION ON SHAFT



KEYED SHAFT



3 CORD STREET
DUDLEY PARK SA 5008
Ph: (08) 8269 4000
Fax: (08) 8269 4000
www.roycecross.com.au



DRAFTING
STANDARD
AS 1100

SIZE
A3

TITLE

EVAP COOLER MOTOR
RESILIENT BASE MOUNT
(2 SPEED/3 SPEED)

USED
ON

FRAME C56 CONDUIT E/S

KW	0.55	HP	3/4
PART NO	S.55A3CG	AMPS	3.6
TYPE OPEN DRIP PROOF SPLIT PHASE RESILIENT MOUNT			
CAP RUN	-	CAP START	-

BRAND



DRG
NO

S.55A3CG

REV

CODE No.

ALL DIMENSIONS ARE IN mm
UNLESS OTHERWISE SPECIFIED
TOL. 1 PLACE DECIMAL ± 0.25 ANGLE ± 0.30°
2 PLACE DECIMAL ± 0.13

DRN	NL	DATE	12.01.09
CHK		APPD	
SCALE	NTS		