

DRG.NO

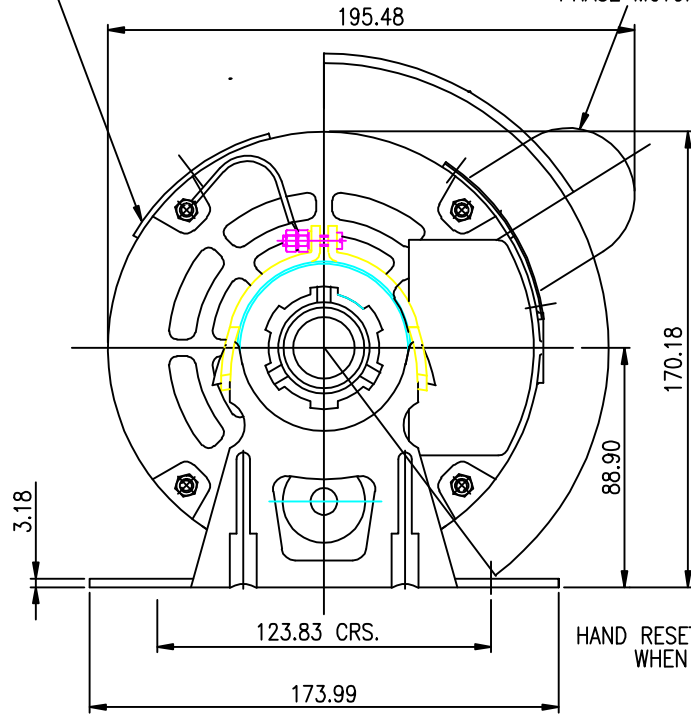
S.37A3CG

FRAME

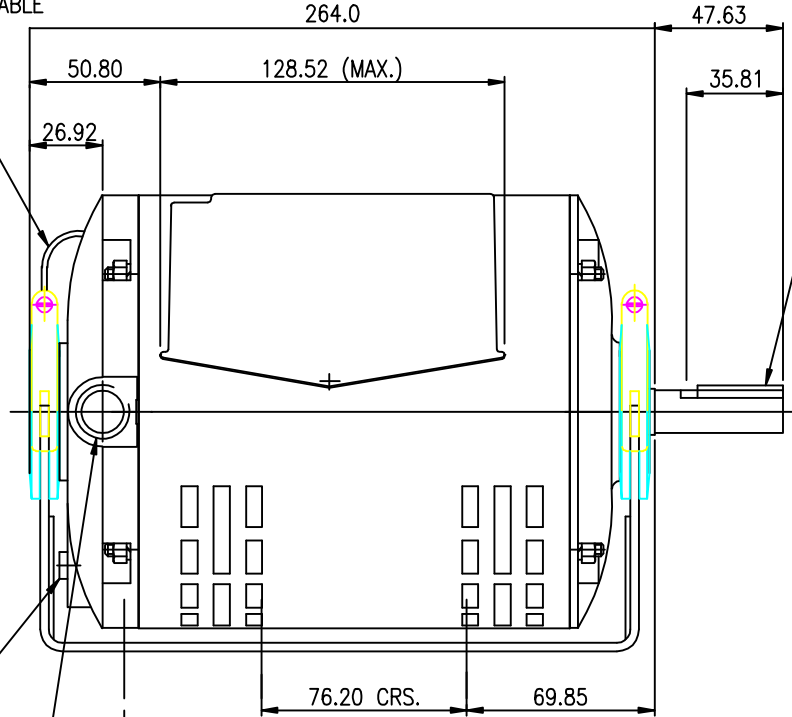
B56S

NAMEPLATE READ FROM  
OPP. CONDUIT ENTRY  
SIDE.

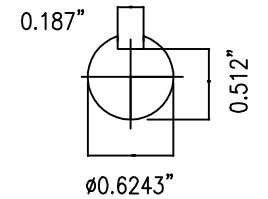
CAPACITOR START (NOT APPLICABLE  
FOR SPLIT PHASE AND THREE  
PHASE MOTOR.)



EARTHING WIRE



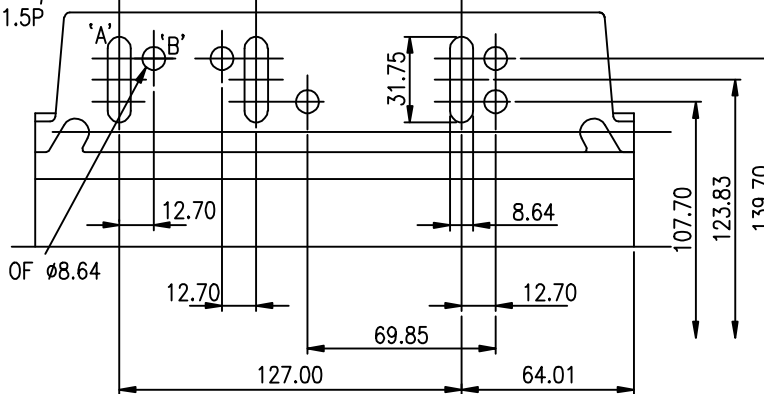
3/16" x 3/16" x 1.25" LONG  
SUPPLIED STUCK ON  
NAMEPLATE.



HAND RESET T/T KNOB  
WHEN FITTED.

M20 x 1.5P

10-HOLES OF  $\phi 8.64$   
AS SHOWN



3 CORD STREET  
DUDLEY PARK SA 5008  
Ph: (08) 8269 4000  
Fax: (08) 8269 4000  
www.roycecross.com.au



DRAFTING  
STANDARD  
AS 1100

SIZE  
A3

TITLE

RESILIENT BASE MOUNTED MOTOR  
(P/R/M/S - TYPE - DP/TE)

USED  
ON

FRAME C56 CONDUIT E/S

KW 0.37 HP 1/2  
PART NO S.37A3CG AMPS 2.5

BRAND



DRG  
NO

S.37A3CG

REV

ALL DIMENSIONS ARE IN mm  
UNLESS OTHERWISE SPECIFIED  
TOL. 1 PLACE DECIMAL  $\pm 0.25$  ANGLE  $\pm 0.30^\circ$   
2 PLACE DECIMAL  $\pm 0.13$

DRN NL DATE 12.01.09

CHK APPD

TYPE OPEN DRIP PROOF SPLIT PHASE RESILIENT MOUNT

CODE No.

MATL SPEC

SCALE NTS

CAP RUN - CAP START -