

Royce Cross Agencies

Electric Motor & Geared Sales

FEATURES

IP65

Keypad with Operator Devices

Constant Torque

0-200Hz Output Frequency

Control Mode: V/Hz

Fault History

Programmable Digital Inputs

Programmable Digital Outputs

Analog Output 0-10VDC

Analog Input 0-10VDC, 0-20mA, 4-20mA

Local/Remote Control

3 Preset speeds

Torque Boost Function

Carrier Frequency 16KHz

DC Injection Braking

UL, cUL, CE Approved



FM50 IP65 WASHDOWN

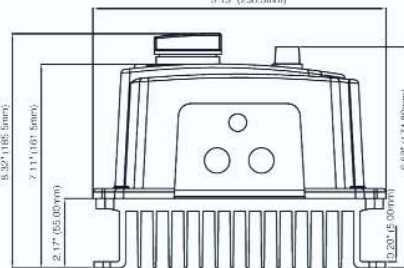
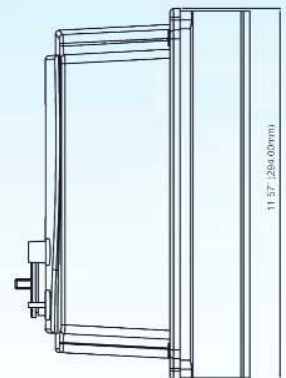
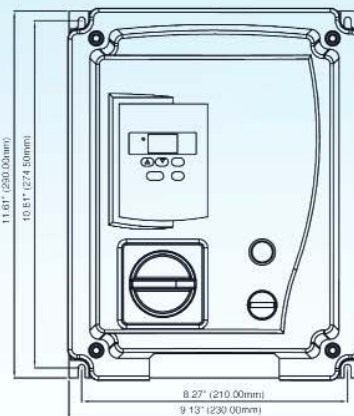
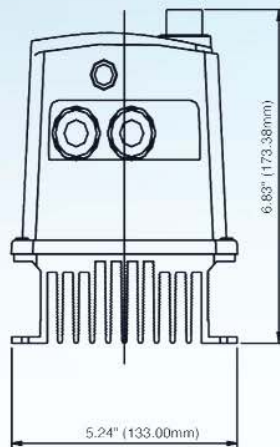
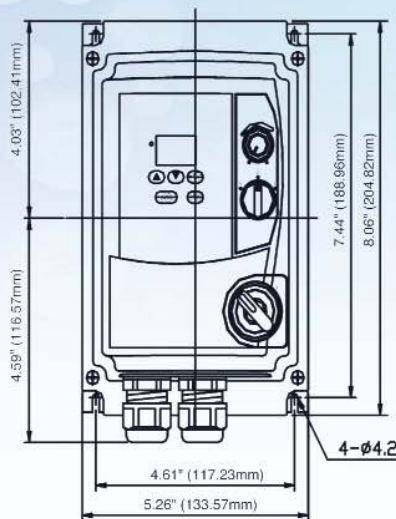
FM50 PRODUCT DETAILS

SPECIFICATIONS

Control Method	V/Hz
Input Voltage Rating	115/230 VAC 1-Phase; 230/460 VAC 3-Phase
Input Voltage Fluctuation	+10%, -15%
Frequency Control Range	0 to 200Hz
Frequency Accuracy	Digital:+.1Hz, Analog: 1Hz / 60Hz
Speed Commands	0-10VDC, 4-20mA, 0-20mA
Overload Capacity	150% for 1 Minute
Braking	Ramp to Stop / DC Injection / Coast to Stop / DB Braking on Selected Units
Protective Functions	Motor Overload, Peak Overcurrent, Inverter Overload, Ground Fault, Over Temperature, Stall (Trip) Prevention
Programmable I/O	1 Digital Input, 1 NO Contact Output
Ambient Temperature	-10°C to +50°C (14°F to 122°F) (not frozen)
Enclosure	IP65 (NEMA 4X)

The TECO FM50 AC Drive is now available in a rugged IP65 enclosure! The enclosure is available in two styles – Keypad Only and Keypad with Operator Devices. Keypad only allows control via the keypad or remote control signals. Keypad with Operator Devices is designed for local control of the drive. It includes the Digital Keypad, Line Disconnect, Speed Potentiometer and Forward-Off-Reverse Switch.

Input Voltage	Keypad Only	Keypad w / Operators
115V 1-Phase	0.25 - 1HP	N/A
230V 1-Phase	0.25 - 1HP	0.25 - 1HP
230V 1/3-Phase	2 - 3HP	2 - 3HP
460V 3-Phase	1 - 3HP	1 - 3HP



Royce Cross Agencies
3 Cord St Dudley Park S.A
Tel 08 8269 400 Fax 08 8269 6699
www.roycecross.com.au

